

PROPOSED
F MAIN FLOOR PLAN
3/16" 1'-0"



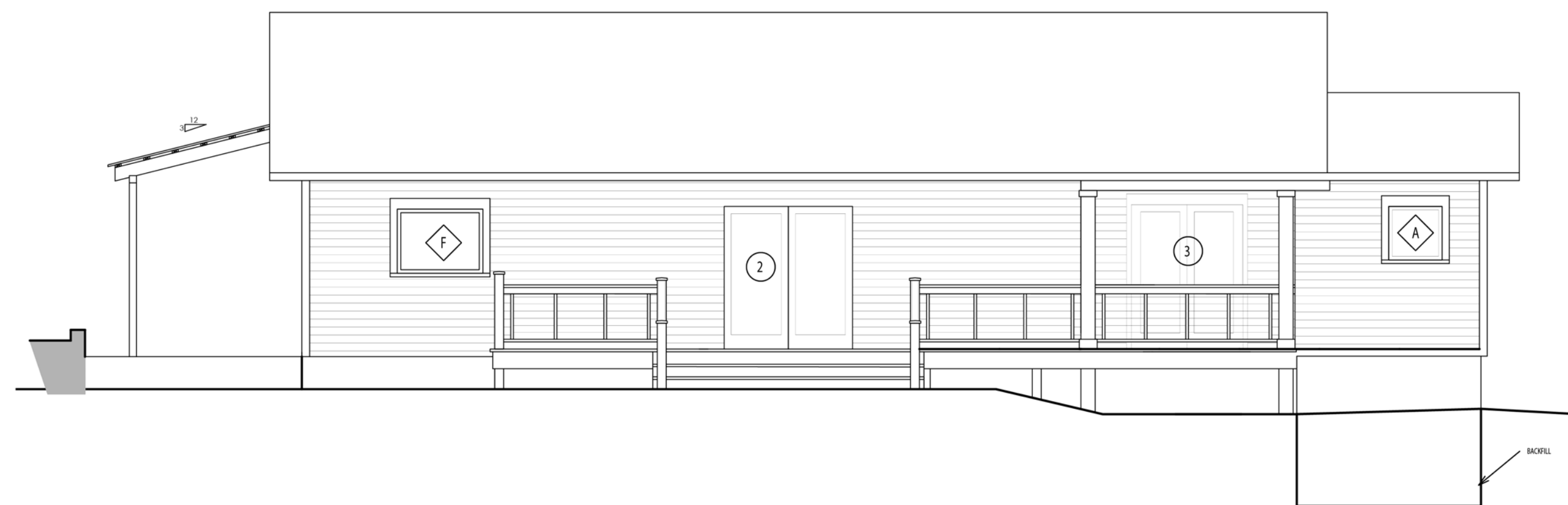
PROPOSED
D SOUTH ELEVATION
3/16" 1'-0"



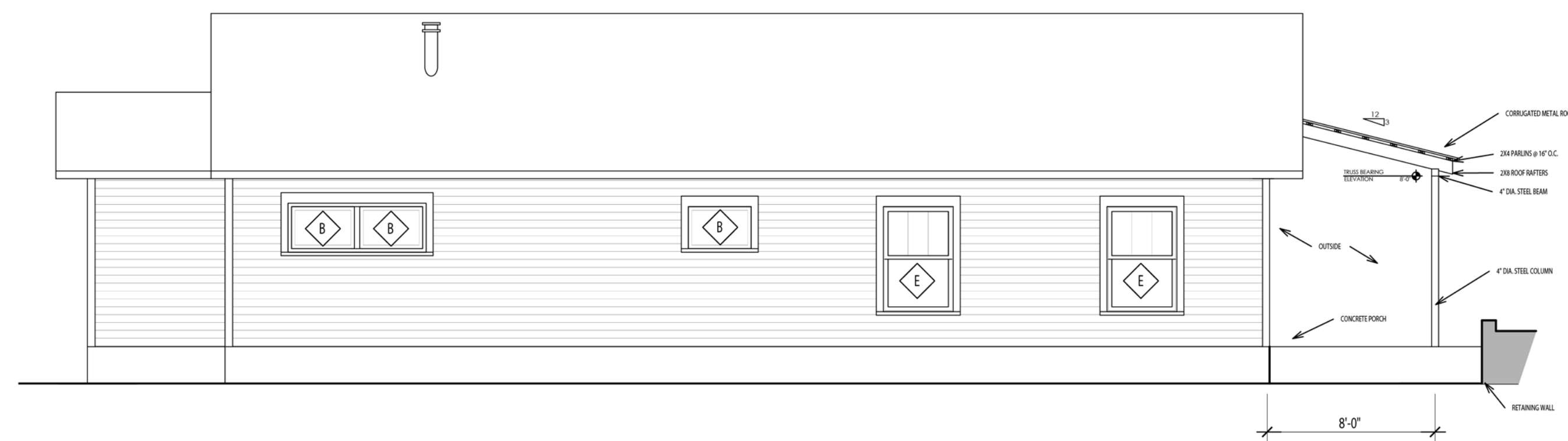
PROPOSED
C NORTH ELEVATION
3/16" 1'-0"

Short Street Ranch

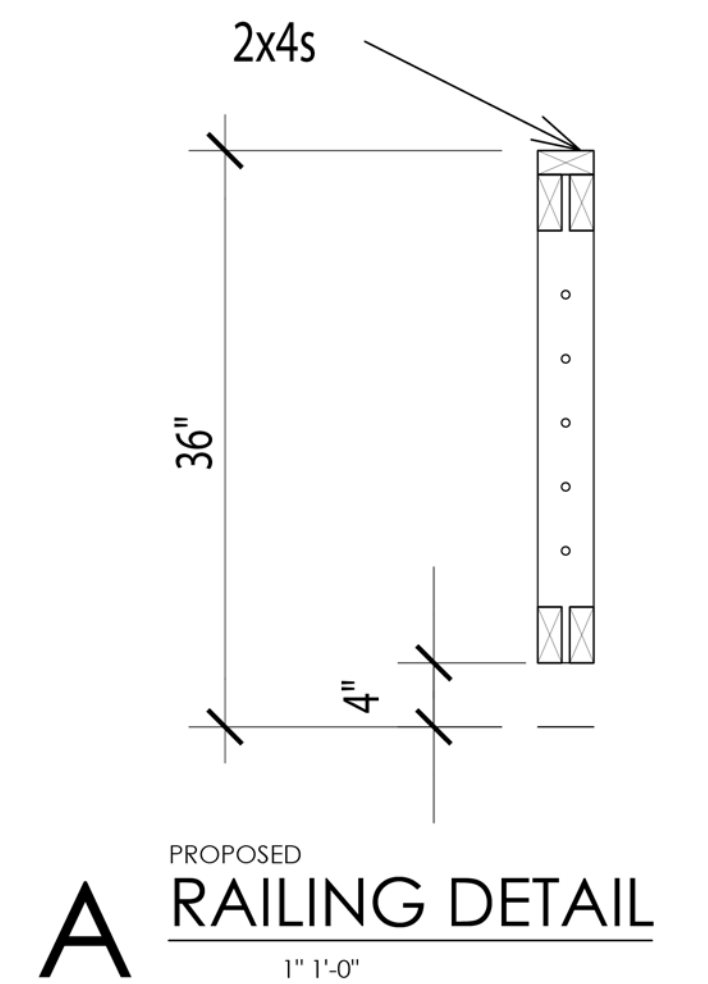
Four Bedrooms
Three Baths
Front Porch
Rear Porch
1721 Sq. Ft.



PROPOSED
E EAST ELEVATION
3/16" 1'-0"



PROPOSED
B WEST ELEVATION
3/16" 1'-0"



PROPOSED
A RAILING DETAIL
1" 1'-0"